

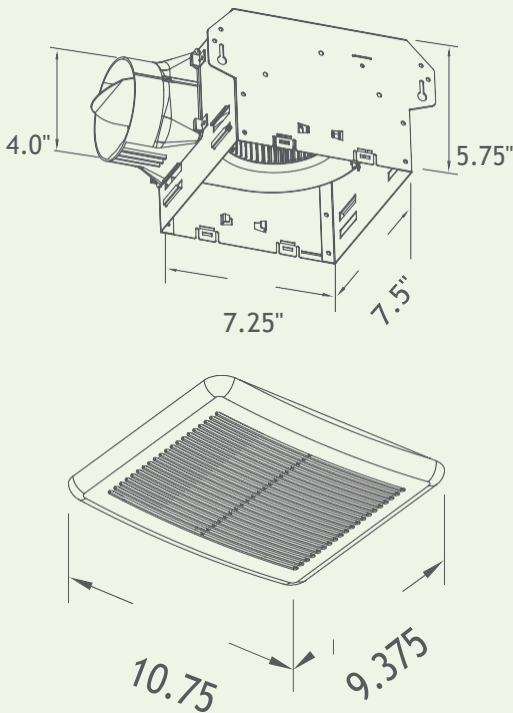


ATX BreezIntegrity Specifications



ATX FAN
80-
PoE/48v
(80 CFM)

Dimensions



Description

Low noise ceiling mount ventilating fan with low profile, rated for continuous running. Fan has been awarded ENERGY STAR®. It uses the ITG80 assembly which is HVI, UL, and cUL certified, and can be used to comply with ASHRAE 62.2 (local and whole building continuous and intermittent operation). The adaptation to 48v is pending UL.

Motor/Blower

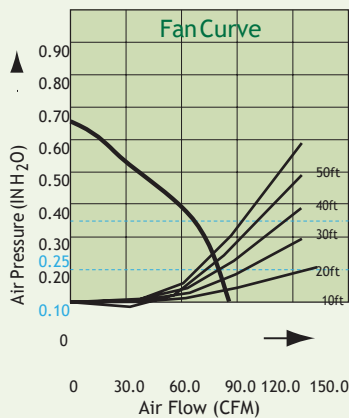
- Power Rating of 48v 300mA (802.3af)
- DC Brushless motor engineered to run continuously
- Motor equipped with thermal cutoff fuse
- Removable with permanently lubricated plug-in motor

Housing

- Galvanized steel body
- Detachable 4" diameter plastic duct adapter
- Built-in backdraft damper
- Easy installation

Features

- Working voltage 44-56 Vdc
- 802.3af mode A and Mode B supported
- No attention to polarity on mode A needed
- Mode B uses 4,5+ and 7,8-
- Insulation strength 10M Ohm (Min.)
- Dielectric strength 700VAc 60Hz
- Start-up inrush current limited to 100 mA, operation at 240 mA
- Built-in soft start function to preserve bearing life
- Motor equipped with thermal cutoff fuse
- Locked rotor protection, powers OFF when impeller is locked abnormally
- Removable with permanently lubricated plug-in motor
- DC brushless motor engineered to run continuously



ATX FAN 80-PoE48v	4" Duct (Standard)	
Static Pressure (Inches w.g.)	0.1	0.25
Air Flow (CFM)	80	68
Sones	1.3	1.4
Power Consumption (Watts)	9.5	10.3
Energy Efficiency (CFM/Watt)	8.4	6.6
Current (Amps)	.3 Max	
Power Rating (V/A)	48/.2	
Project Pack Components Available ATX-A (housing) and ATX80-B (motor grille)		

